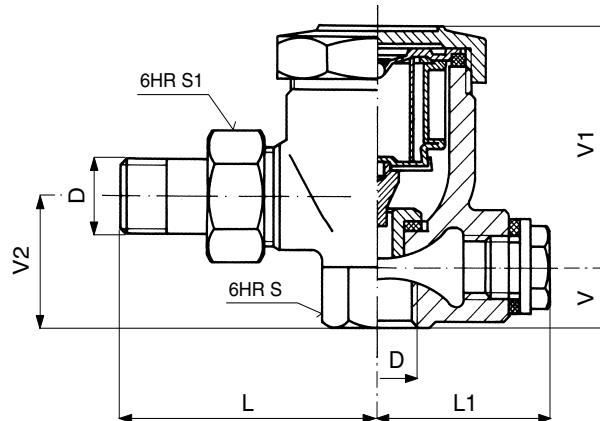


CONDENSATE COLLECTOR

PN 1



Connecting and construction dimensions

| DN | D | L | L1 | V | V1 | V2 | S | S1 | kg | Order No. |
|----|-------|----|----|------|------|----|----|----|-----|-----------|
| 15 | G 1/2 | 75 | 49 | 17,5 | 62,5 | 37 | 30 | 32 | 0,8 | 162 0004 |
| 20 | G 3/4 | 81 | 50 | 22 | 61 | 40 | 36 | 41 | 0,9 | 162 0005 |

Use

To discharge condensate automatically from pipes and bodies of low-pressure central heating systems. It prevents steam from flowing to the condensate pipeline. Use for water steam, water.

| Temperature [°C] | Pressure [MPa] |
|------------------|----------------|
| 120 | 0,1 |

The condensate collector may also be used for other non-aggressive liquids, if consulted with and approved by the manufacturer.

Technical description

The thermostat with a special filling is mounted in the body. A cone is fixed on the thermostat. The collector closes at rising temperature and is fully closed at 99 °C.

Material

| | |
|------------------|----------------|
| body, union pipe | grey cast iron |
| cap nut | grey cast iron |
| seat, cone | brass |
| thermostat | red brass |

Testing

The valve is tested in accordance with ČSN 13 3060, part 2, or with DIN 3230, part 3.

Control

The collector does not require any special service and maintenance. In the event of a thermostat failure it must be replaced.

Mounting

The collector may only be mounted in a horizontal pipeline.

Connection

On the inlet there is a pipe union with outer pipe thread for connection to threaded pipes, on the outlet there are pipe sleeves with pipe thread. The connecting and construction dimensions are given in the table.

Placing an order

Data necessary to place an order:

- nominal pressure (PN)
- nominal inside diameter (DN) in mm
- working medium
- actual max. working temperature of medium [C]
- actual max. working overpressure [MPa]

KL AVL 307.000.00
07/2006